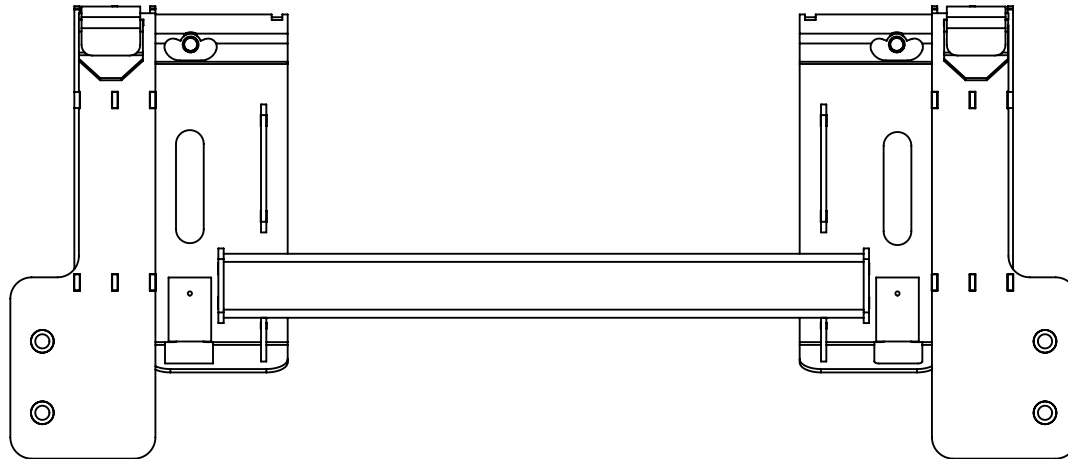
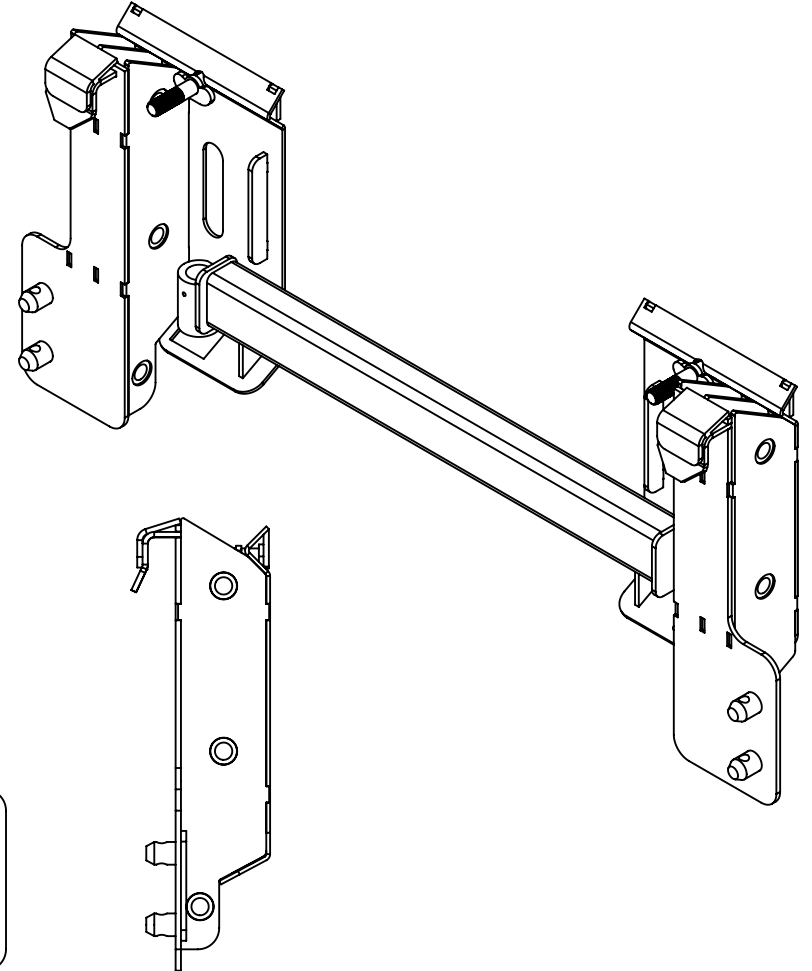



		REVISIONS		
REV.		DESCRIPTION	DATE	INITIALS
A		INITIAL RELEASE		



 <p>PROPRIETARY AND CONFIDENTIAL</p> <p>THE INFORMATION CONTAINED IN THIS DRAWING IS THE SOLE PROPERTY OF JAMESTOWN ADVANCED PRODUCTS. ANY REPRODUCTION IN PART OR AS A WHOLE WITHOUT THE WRITTEN PERMISSION OF JAMESTOWN ADVANCED PRODUCTS IS PROHIBITED.</p>	UNLESS OTHERWISE SPECIFIED:		NAME	DATE	CUSTOMER: HI		
	DIMENSIONS ARE IN INCHES TOLERANCES: FRACTIONAL $\pm 1/16$ ANGULAR: BEND ± 1 DEGREE TWO PLACE DECIMAL $\pm .03$ THREE PLACE DECIMAL $\pm .005$	DRAWN	VR	8/21/23	TITLE: SSQA TO JD FRAME ASSEMBLY		
	INTERPRET GEOMETRIC TOLERANCING PER: ASME Y14.5-2009	CHECKED			SIZE	DWG. NO.	REV
	MATERIAL	ENG APPR.			A	19442-003	A
	COMMENTS:	BLANK WIDTH: BLANK LENGTH:			SCALE: 1:9	WEIGHT: 89.03	SHEET 1 OF 1